

# EPM-3032 Expansion Module

Expansion peripheral modules (EPM) for the V2400 Series

## Features and Benefits

- 2 isolated RS-232/422/485 ports with DB9 connectors



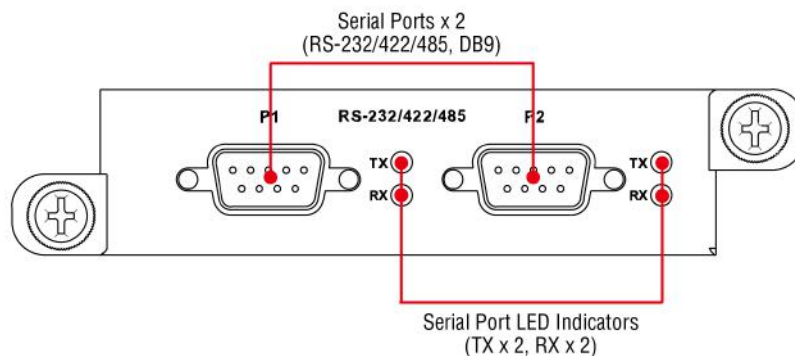
## Certifications



## Introduction

Moxa's EPM-3032 expansion module comes with 2 isolated serial ports with DB9 connectors, which can be used with Moxa's V2426 embedded computers to give end users the best flexibility for setting up and expanding a variety of industrial applications.

## Appearance



## Specifications

### Serial Interface

No. of Ports	RS-232/422/485 ports x 2, software selectable (DB9 male)
Baudrate	50 bps to 921.6 kbps
Flow Control	RTS/CTS, XON/XOFF, ADDC® (automatic data direction control) for RS-485, RTS Toggle (RS-232 only)
Isolation	2 kV
Parity	None, Even, Odd, Space, Mark
Data Bits	5, 6, 7, 8
Stop Bits	1, 1.5, 2

## Serial Signals

RS-232	TxD, RxD, RTS, CTS, DTR, DSR, DCD, GND
RS-422	Tx+, Tx-, Rx+, Rx-, GND
RS-485-2w	Data+, Data-, GND
RS-485-4w	Tx+, Tx-, Rx+, Rx-, GND

## Physical Characteristics

Dimensions (without ears)	104 x 121 x 34 mm (4.09 x 4.76 x 1.34 in)
Weight	137 g (0.30 lb)

## Environmental Limits

Operating Temperature	-40 to 70°C (-40 to 158°F)
-----------------------	----------------------------

## Ordering Information

Model Name	miniPCIe Expansion Slots	SIM Slots	RS-232/422/485 Ports	CAN Ports	Digital Input Channels	Digital Output Channels	Operating Temp.	Conformal Coating
EPM-3032	-	-	2	-	-	-	-40 to 70°C	✓

© Moxa Inc. All rights reserved. Updated Nov 12, 2018.

This document and any portion thereof may not be reproduced or used in any manner whatsoever without the express written permission of Moxa Inc. Product specifications subject to change without notice. Visit our website for the most up-to-date product information.